

### Features

- 11GHz cavity Duplexer for microwave telecommunication repeater.
- Very compact size and low weight.



### Technical Characteristics

#### Duplexer (Tx) Path

Frequency band	10,935 MHz ~ 11,175 MHz
Bandwidth	240 MHz
Insertion Loss	0.6 dB <sub>typ.</sub>
VSWR	1.3 : 1 <sub>max.</sub>
Rejection	65 dB <sub>Cmin.</sub> (@ 11,465 ~ 11,705 MHz) 70 dB <sub>Cmin.</sub> (@ 10,105 MHz)
Continuous Average Power	10 W <sub>max.</sub>

#### Duplexer (Rx) Path

Frequency band	11,465 MHz ~ 11,705 MHz
Bandwidth	240 MHz
Insertion Loss	0.6 dB <sub>typ.</sub>
VSWR	1.3 : 1 <sub>max.</sub>
Rejection	65 dB <sub>Cmin.</sub> (@ 10,935 ~ 11,175 MHz) 70 dB <sub>Cmin.</sub> (@ 10,105 MHz)

### Environmental

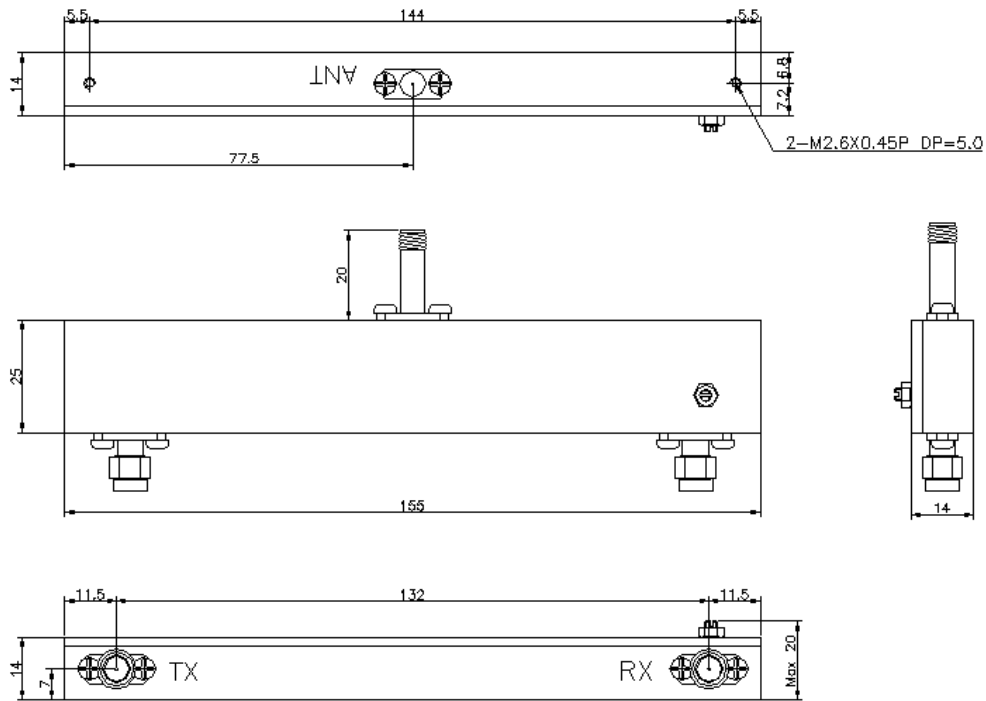
Operating temperature range	-20 to +70 °C
-----------------------------	---------------

### Mechanical

Dimensions <sup>1)</sup>	155 x 25 x 20 mm
--------------------------	------------------

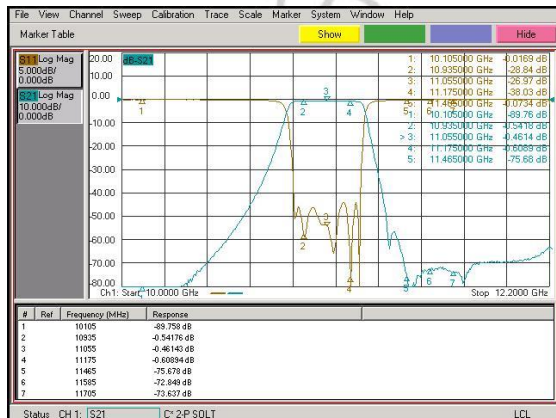
1) Excluding connectors, and mounting bracket extension

## Outline Drawing

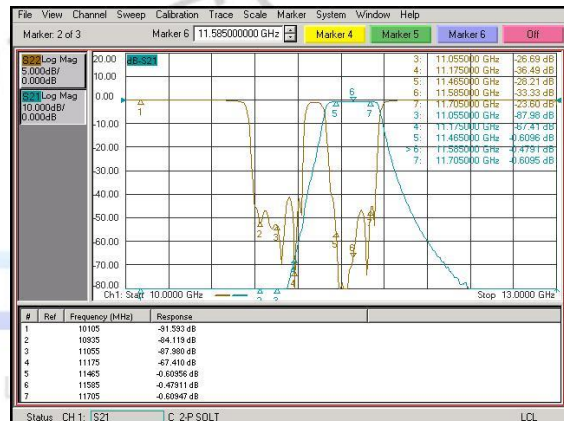


Units : mm, Tolerance : +/- 0.2 mm

## Typical Response



Duplexer (Tx) path Transmission



Duplexer (Rx) path Transmission